

VesselCheck HMI

Graphic Colour Operator Interface Terminal Model

Data sheet : VCHMI/2012

Graphic Colour Operator Interface Terminal and Evaluation Unit for use with Canongate VesselCheck series of level measurement systems.

Standard Features:

- 5.7" TFT Colour LCD
- 5 Button Keypad
- Resistive Analogue Touchscreen
- RS232/422/485 Comms ports
- Integrated Ethernet & web server
- USB port
- Configured to your application

General Description

The G306 Operator Interface Terminal combines unique capabilities normally expected with high-end units. It is built around a high performance core with integrated functionality. This core allows us to configure the unit to the specific duty required. As standard the unit is supplied within a stainless steel enclosure but other configurations are available. Larger screen sizes up to 10" are available.

Communications

The G306 is able to communicate with many different types of hardware using high-speed RS232/422/485 communications ports and Ethernet 10 Base T/100 Base TX communications.

A USB port is included for fast downloads of trending and logging data. Screens can be navigated by means of the 5-button keypad or the touchscreen.

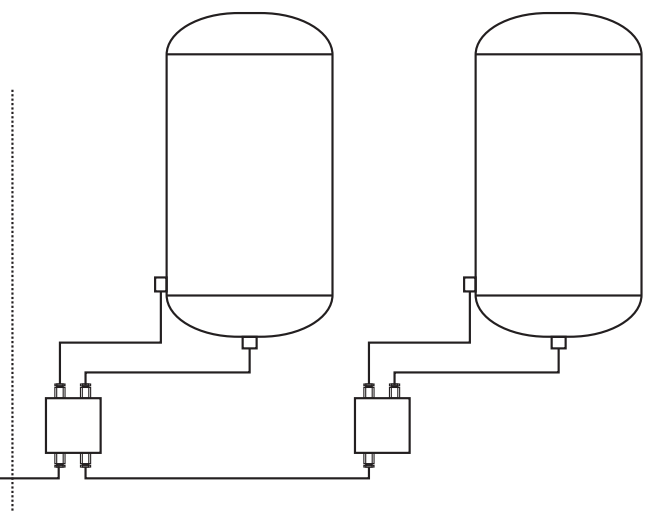
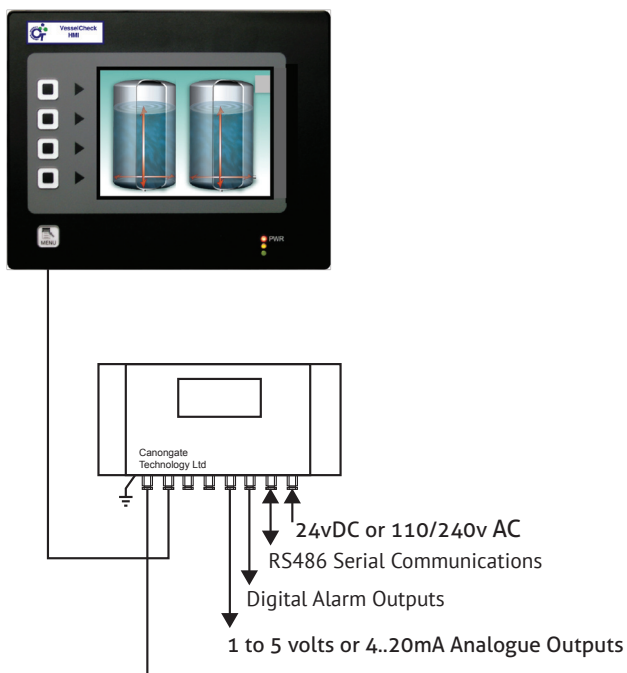


Optional cards are available for:

- PROFIBUS
- DeviceNet
- OPC
- Communicating with over 170 different protocols

Remote Monitoring

Using a standard web browser you can see the same screens as the operator. We also offer an online troubleshooting and maintenance service that can be delivered via the internet. The G306A can also send alarm events by email or SMS allowing you to keep control of your process when you are off-site.



Vessel Check HMI - Technical Specification

Description	6" TFT Analogue Touchscreen Terminal
Display Type	5.7" TFT Active Matrix, 256-colour QVGA display
Resolution	320x240 pixels
Comms Ports	Two RS232, one RS422/485
Ethernet	10 Base-T / 100 Base-TX
Compact Flash Slot	CompactFlash Slot
Power Supply	110/230 Vac
Keypad	Touch Screen
Environmental	0 to 50°C / 32 to 122°F
Material	Housed in stainless steel wall mounting enclosure
Dimensions	295 x 295 x 160 mm
Weight	8Kg
Ratings	NEMA 6 / IP66

VesselCheck Range Overview

Typical Application	Maximum Height	Number of Tanks	Hazardous Area Approval	Display	Variet
High accuracy: beer, spritis, acids, solvents, water, LPG spheres, wine	20 metres	2	Optional	Optional	ST2
Less accurate: LPG spheres, wine	20 metres	4	Optional	Optional	ST4
Fuel, water, light oils, acids	3 metres	1	No	Optional	ST1
LPG, small spirit tanks	3 metres	1	Sensor Only	Optional	ST1(A)
LPG, solvents, acids, fuels, Sulphur Dioxide, Chlorine	3 metres	1	Sensor & Processor	Yes	ST1AD
Refrigerent Gas	2 metres	1	No	Optional	ST1(R)
Graphic colour operator interface terminal & evaluation unit for use with VesselCheck systems	N/A	Up to 32	No	Yes	VCHMI



Excellence the World can Measure™

Rotherm Canongate Technology

Midlothian Innovation Centre, Pentlandfield, Roslin EH25 9RE United Kingdom

T: +44 (0) 131 448 0786 **E:** sales@ct-uk.co.uk **W:** www.ct-uk.co.uk